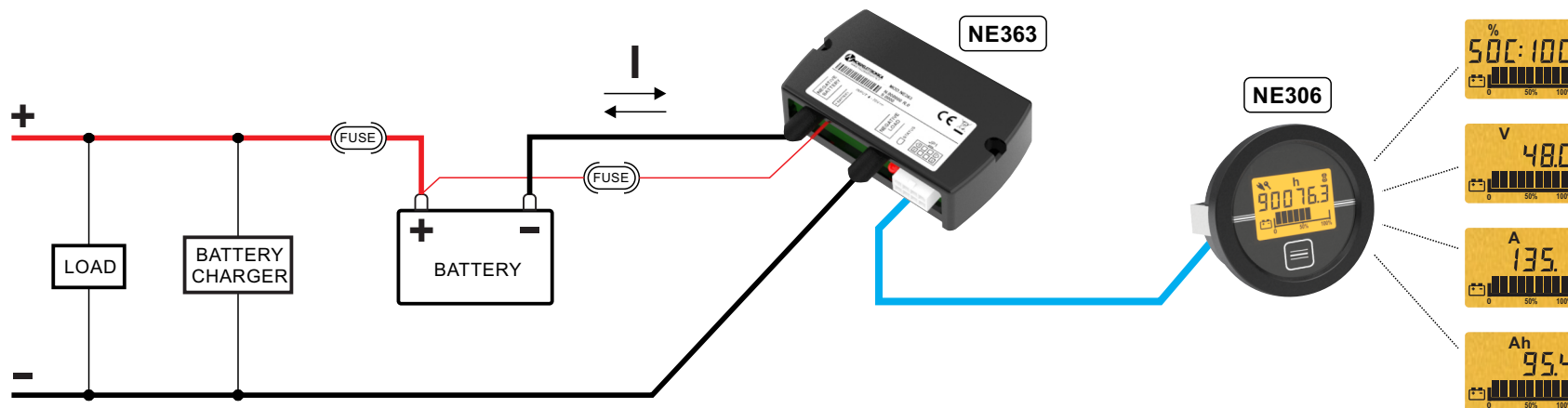


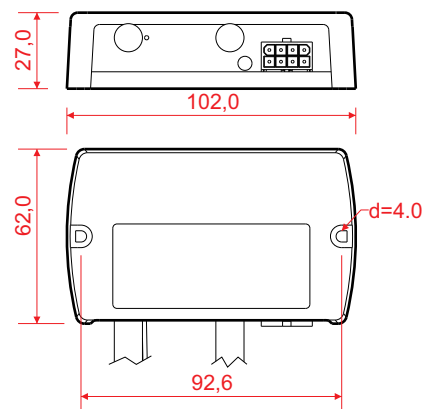
Battery Monitor Shunt NE363



CHARACTERISTICS NE363:

- Possibility to select the characteristics of the battery (voltage, capacity and battery type)
- Power supply voltage from 8Vdc to 70Vdc
- Protection: IP56
- Current range: 50A, 100A, and 150A (charge/discharge)
- Current resolution: 5mA
- Serial interfaces: TTL, RS232, RS485, CAN
- Communication with NE306: SOC, Current, Voltage, Ah Charged/Discharged
- Wireless communication: Bluetooth (optional)
- Charge/discharge data: last 280 cycles

DIMENSION [mm]:



CHARACTERISTICS NE306:

- Power supply voltage from 8Vdc to 70Vdc
- Protection: IP30 (frontal IP65)
- Inhibit relay contact: 4A@12V - 2A@60V
- 6 digit hour-counter with precision of 1/10h
- Illuminated display
- Button switch to change view

DIMENSION [mm]:

