



Scrubber 75 P
Master of Car Park Cleaning

PRODUCT RANGE



ABOUT GAUSIUM

Gausium (alias "Gaussian Robotics") develops and manufactures cleaning robots to co-work with people. The Gausium cleaning robots are comprehensive range of floor cleaning robots, which includes: Vacuum 40, Scrubber 50, 50 Sprayer, Scrubber 75, Sweeper 111 and more in the pipeline. They have been deployed in thousands of commercial, institutional and industrial facilities around the globe to deliver professional and consistent cleaning services.

Founded in 2013 out of a passion for autonomous driving, Gausium built its class-leading autonomous navigation based on advanced SLAM technology and integrated it into cleaning machines. It has since grown into a global leader and is now setting the benchmark for the cleaning robot industry. Today, it has rapidly expanded into a team of over 1000 employees with its headquarter in Shanghai and overseas offices in Singapore, Hong Kong and the Netherlands.



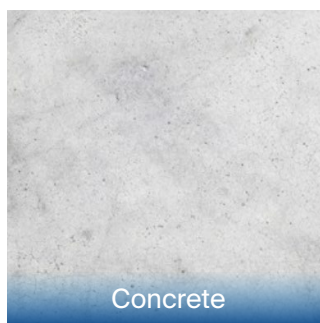
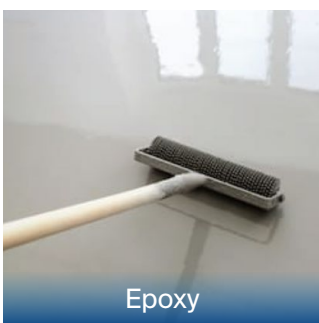
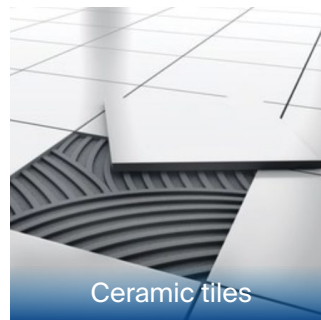
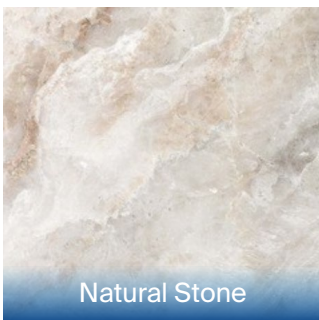
APPLICABLE SCENARIOS

Scrubber 75 P is customized for highly dynamic, large indoor environments, including Parking lots, Plazas, Manufacturing plants, Industrial sites and Logistics warehouses, etc.



FLOORING TYPES

Scrubber 75 P is designed for different types of hard, water resistant floors, including Natural Stone, PVC & Vinyl flooring, Ceramic tiles, Epoxy, Concrete, etc.



CORE STRENGTHS

SIMPLICITY – Minimal Human Intervention Operation (M.H.I.O)



Easy Deployment

- User-friendly display with intuitive menu, accelerating setup and adoption
- Flexible operation methods, controlling the machine through touch screen, mobile APP or cloud platform
- Mapping, map editing and task creating can be done by the operator on the display without external assistance



Minimal Maintenance

- Optional work station for automatic charging, water filling & draining, realizing 7/24 uninterrupted operation
- Only 2 hours required per month for general maintenance



Dual Operation: Autonomous + Manual (Step-on mode)

- Switches between auto and manual Step-on mode with a simple command
- Ergonomic Step-on mode - effortlessly carry the machine to navigate around the site

INTELLIGENCE – Boldly go where no other cleaning robot has gone before



Advanced AI navigation system empowered by semantic SLAM

- Real-time Auto-cover: Dynamically maps and plans cleaning paths to maximize cleaning coverages in a changing environment
- Incredibly fast mapping: 30 mins to map a 2,000 sqm site(*)
- Flexible map editing: Mark virtual walls and highlight areas to avoid collision and damage



Oil cleaning mode

- Able to detect and mark oil stains in the map
- Equipped with a detergent container with a mechanical structure that proportions the water and detergent and squirts the mixed liquid on the floor for a thorough cleaning of oil stains



Active parking space cleaning

- Perceives the dynamic changes of the parking space vehicles and cleans the empty parking spaces automatically



Remote task scheduling, activation and maintenance

- Real-time data transmission and monitoring, getting real-time information of the operational status and cleaning progress
- Sends detailed cleaning task reports via email or SMS, letting your data demonstrate your commitment to a quality clean



Flexible task combination, customizing cleaning plans in complex scenarios

- Teach & Follow (Auto repeat)
- Auto-cover (Auto fill-in)
- Real-time Auto-cover (Returning to occupied spaces)
- Sketch (Point to point)



Recovery

- Resumes previous unfinished task after interruption

PRODUCTIVITY – Exponentially improves cleaning efficiency



Advanced Cleaning Efficiency

- 4 in 1 - Integrates degreasing, scrubbing & drying, sweeping, dust mopping
- 1200 sqm/h for traffic lanes and 600 sqm/h for parking space



Industrial-strength battery

- Allows operation up to 6 hours (*) without a recharge

MANEUVERABILITY – Access restricted area while cleaning



Robust Construction with high maneuverability

- Unique 270-degree rotational brush head, able to clean 90-degree corners

SAFETY – Cutting-edge obstacle detection & avoidance



Multi-sensor fusion

- Market-leading sensor system (including 3D LiDAR) - Reacts to the changes correspondingly and automatically while cleaning, avoiding obstacles from all directions and in real time
- Equipped with E-stop button, anti-slip wheels, anti-collision touch bumpers, feet protection sensors, safety audio message playback etc., providing all-round safety
- Advanced lighting system consisting of flashing light, blue projection light and supplement light, distinctively communicate the machine position through vehicle-identifiable light signals
- Millimeter-wave radars (75P-exclusive) - Faster, more accurate perception and mapping of the dynamic surrounding in the parking lots

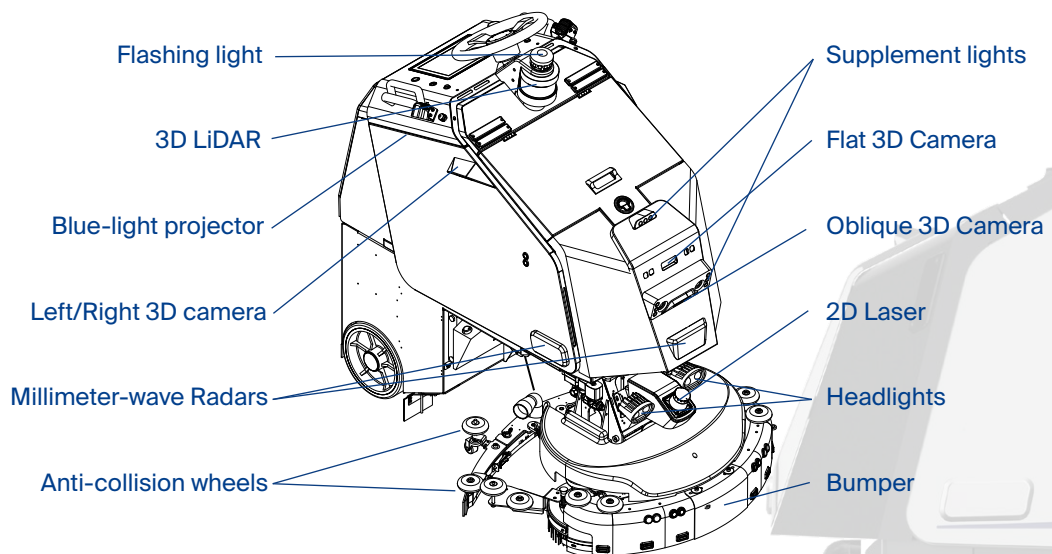


Figure 1: Scrubber 75 P Sensors

(*Under ideal conditions)

KEY BENEFITS

SUSTAINABILITY – Create long-term value by taking an eco-friendly approach



Energy Saving

- Calculates the most efficient path to reduce energy consumptions



Water Saving

- Unique 5-stage water recycling filtration system
- Saves up to 70% fresh water



Soundproofing

- Operating noise level as low as 55 dB, ideal for noise-sensitive environments and daytime cleaning

COST-EFFICIENCY – Invest in Gausium's quality and technology that significantly drive down cleaning cost



Low total cost of ownership

- The large capacity, Lithium batteries, elevator integration and optional charging dock, all ensure a high ROI and low maintenance costs



Cut down labor cost

- Functions of task scheduling and real-time reporting simplify your cleaning management and lower labor costs

BETTER IMAGE – Enhance facility image by embracing a consistent, sustainability oriented clean



Marketing value

- The visual appearance of the Gausium robot shows visitors your taking their health and safety seriously, demonstrating your company as a clean and trendsetting organization
- The adoption of Gausium's water-saving and energy-efficient cleaning solutions manifests your company's commitment to CSR initiatives



WHAT OUR CUSTOMERS SAY

“ The robot takes a lot of time off our work in the area, which we can put into more elaborate handicrafts. We have tested it intensively here and are sure that it will soon support us permanently in our day-to-day business.

(translated from German)

– Georgios Sarantos
Dussmann Service (Germany)

“ The cleaning service partners operating the Gausium robot at the airport generally find it safe, easy and efficient to use it. The robot's adoption and awareness of its capabilities by the cleaning team and leveraging on its technology for its daily cleaning operations is increasingly improving.

– Jerome Francis
Changi Airport Operations
Management (Singapore)

“ Our robots work 24 hours a day without compromising the efficiency. So, we provide a cleaner service with a unique quality and comfort level for our customers.

(translated from Polish)

Seris Konsalnet (Poland)

“ Our train presentation and station cleaning teams have been working tirelessly throughout the pandemic and the new Eco Bot (Scrubber 50) will help free up a lot of time, so colleagues can focus on additional sanitisation.

– Simone Bailey
Greater Anglia (UK)

“ With this technological robot, it renews itself day by day. It has systems that can take the elevator. Scrubber 50, a small one of which can take the elevator, charge itself, fill and empty its own water...If it sees a living thing, it changes its path. You can manage it via the panel, web or mobile. You have the cleaning done over and over again by using the remote panel without being there.

(translated from Turkish)

– Nazlı Uzunlar
UFS Facility Services (Turkey)

“ Continuing to implement our innovative cleaning solutions with these robotic floor scrubbers and driers... There's a reason we're one of the UK's leading cleaning service providers.

Mitie Cleaning Services (UK)

SPECIFICATION

FEATURE	SCRUB, SWEEP, MOP
SIZE	L1,370*W962*H1,417MM (54*38*56 IN)
UNLADEN WEIGHT	400KG (880LB)
CLEANING WIDTH	750MM (30 IN)
THEORETICAL MAX. PRODUCTIVITY	3,000M ² /H (32,292FT ² /H)
RATED VOLTAGE	24V DC
MAX. OUTPUT POWER	2,000W (2.7HP)
GRADEABILITY (AUTONOMOUS TRANSPORT)	5°
GRADEABILITY (PARKING ON RAMP)	8°
MAX. MOVING SPEED	1.1M/S (2.5MPH)
MAX. PASSABLE OBSTACLE HEIGHT	10MM (0.4 IN)
DISC BRUSH	3*254MM (3*10 IN)
ROLLER BRUSH (OPTIONAL)	2*Ø100*370MM (3.9*14.5 IN)
SOLUTION/RECOVERY TANK	75/50L (20/13US GAL)
SENSOR SYSTEM	3D LIDAR, 2D LIDAR, 6*DEPTH CAMERA, COLLISION BUMPER, MMWAVE SENSOR
MAX. ENDURANCE	≈4H ~ 6H

*Due to ongoing product updates, specifications are subject to change without notice and will vary throughout the operation.

Gaussian Robotics

Valeton 4 N, 5301LW Zaltbommel, The Netherlands



Our Offices:

Singapore 3 Fusionopolis Place, Galaxis Work Loft #04-52/53 Singapore

HongKong SAR RM 212, Core Building No.1E, Hong Kong Science Park Phase 1, 1 Science Park East Avenue, Shatin, NT

Mainland China No. 666 Shengxia Rd., Pudong District, Shanghai, China



+31 (0)611872148



E-mail: support@gausium.com



www.gausium.com



@Gausium

*Gausium is a registered trademark of Gaussian Robotics.

*All content is subject to change.

©Gaussian Robotics 2022